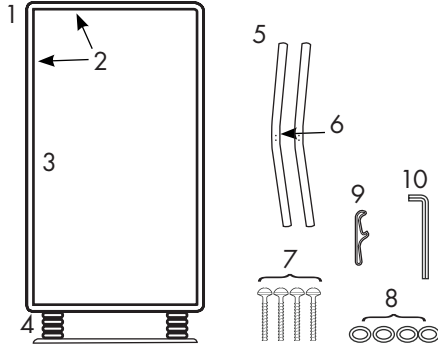


Outdoor Flex Jumbo Sign

Product Parts

- 1 - Frame
- 2 - Snap Edges
- 3 - Protective Graphic Film
- 4 - Springs
- 5 - Legs
- 6 - Screw Holes
- 7 - Bolts (x4)
- 8 - Washers (x4)
- 9 - Snap Handle
- 10 - Allen Wrench (5mm)



Display Set-Up

Step 1

Remove all parts from the box and remove all protective wrapping. Place on a clean, flat surface. Open all the Snap Edges (2) on one side of the Frame (1) by hand or you can use the optional Snap Handle (9). Remove the Protective Graphic Film (3) and align it over the printed side of your graphic.



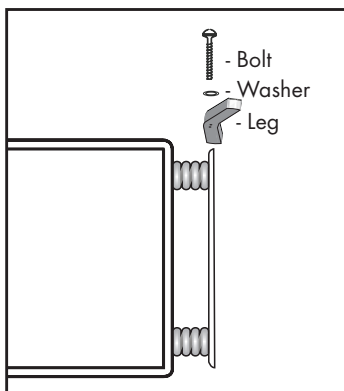
Step 2

Slide your Graphic covered by the Protective Graphic Film (3) into the display's Frame (1) and close all Snap Edges (2). Flip the Frame (1) over and repeat on the second side.



Step 3

Set Frame (1) on it's side and align Legs with the two Screw Holes (6). Feed Bolts (7) with Washers (8) through both Screw Holes (6) and tighten bolts using the provided Allen Wrench (10). Once tightened, repeat this step to the other side of the Frame (1).



Step 4

With Legs (5) firmly attached to the Base (1), lift the display into an upright position to display.

